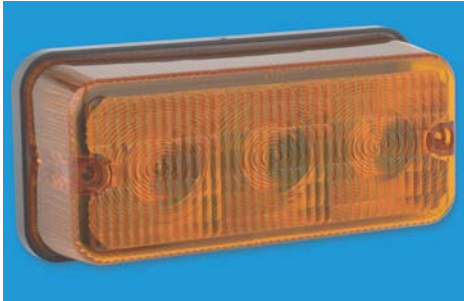


# PRODUCT SPECIFICATION SHEET

August 2005



# MODEL 270

## DOT/ECE APPROVED LED TURN SIGNAL LAMPS

### Model Number

270TS-12V  
270TS-24/36V

### Description

12V LED Turn Signal Lamp - Amber  
24-36V LED Turn Signal Lamp - Amber

### Applications

- Agriculture
- Construction
- Forestry
- Material Handling
- Mining
- Recreational
- Specialty Truck

### Features & Benefits

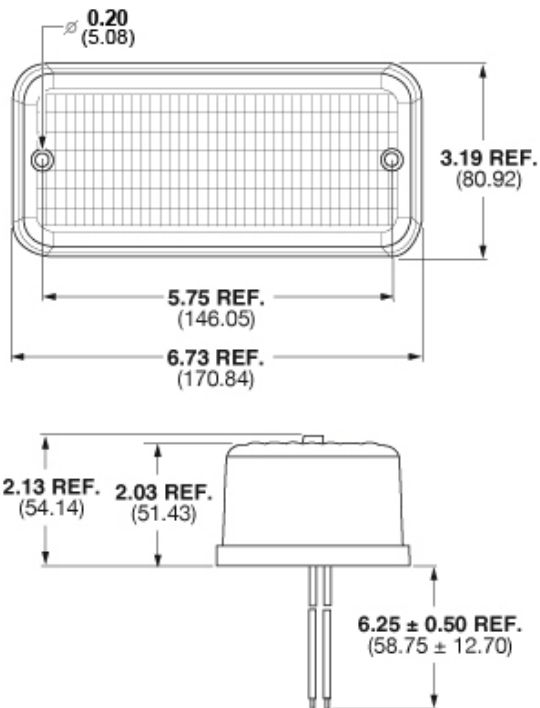
- Multi-voltage (12V or 24-36V DC) adds versatility & reduces SKUs
- Exact footprint of our classic incandescent model 270 turn signal lamp
- Rugged solid state LEDs can withstand shock & vibration
- Long-lasting LEDs mean never having to replace another bulb again!
- 4-year limited warranty

### Product Specifications

- Light Source: Light Emitting Diodes (LEDs)
- Input Voltage: 12V DC or 24-36V DC
- Current Draw : 0.5 Amps @ 12V; 0.13 Amps @ 24V; 0.09 Amps @ 36V
- Lens: Acrylic
- Housing: ABS
- Mounting: Flat/Surface Mount
- Wiring: 6" Bare Wire

### Standards Compliance

- ASAE 279.12 (Agricultural Equipment)
- SAE (DOT) J96 (Flashing; Warning Lamps)
- SAE (DOT) J588 (Front & Rear Turn Lamps)
- SAE (DOT) J914 (Side Turn Lamps)
- SAE (DOT) J974 (Rear Flashing; Warning)
- SAE (DOT) J1889 (LED Devices)
- SAE (DOT) J2042 (Front Clearance; ID & Sidemarkers Lamps)
- ECE Reg. 6 (Directional Signal Lamps)
- Sealed to IP67



Dimensions in inches (mm in parentheses)  
Dimensions are for reference only.

