



MODEL 4100

ROUND RUBBER WORK LAMP

High impact, low-cost work lamp is shock-resistant.

The Model 4100/MR16 halogen work lamp is a low-cost solution with high impact designed for the lawn & garden and golf & turf markets but equally effective on utility and industrial vehicles as well. Featuring a durable, shock-resistant rubber housing with a long-life MR bulb, this lamp also has an integrated 2-pin Deutsch socket. Choose from a 12° spread bulb to approximate a trapezoid beam pattern, or a 36° spread to approximate a flood pattern.

VEHICLE APPLICATIONS

- Golf & turf
- Lawn & garden
- Utility vehicles

FEATURES

- Shock-resistant rubber housing
- High-impact MR bulb
- Universal hardware easily mounts to any flat surface

MODEL NUMBER

Model 4100

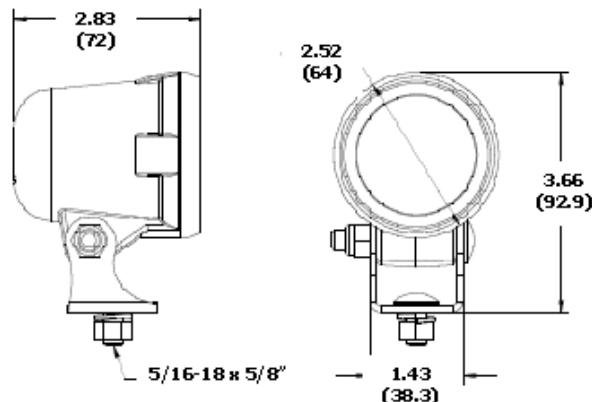
DESCRIPTION

12V Work Lamp

PRODUCT SPECIFICATIONS

Light Source	Replaceable MR-16 20W Bulb
Input Voltage	12V DC
Current Draw	1.75 Amps
Light Patterns	12° spread – trapezoid pattern 36° spread – flood pattern
Standards	SAE J575 - Environmental
Connector	Integrated 2-pin Deutsch weather-proof socket
Mounting	Universal mount

Dimensions in inches (mm in parentheses) / Dimensions are for reference only.



Mating Connector:

Deutsch Connector Plug p/n DT06-25
Deutsch Terminal Socket p/n 1062-16-0122
Deutsch Wedge Lock p/n WS2