

PRODUCT SPECIFICATION SHEET

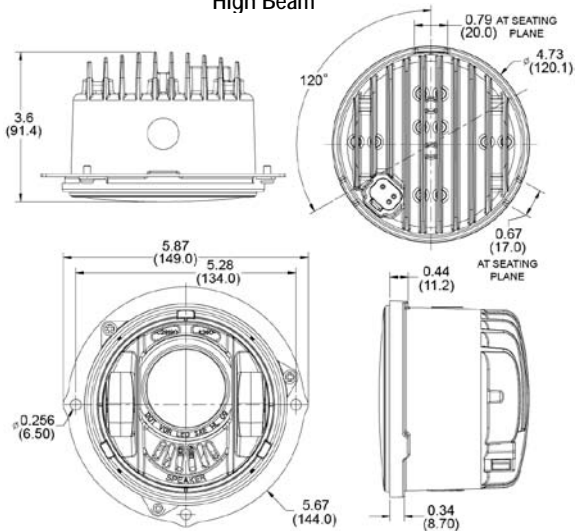
March 2010



Low Beam



High Beam



Dimensions in inches (mm in parentheses)
Dimensions are for reference only.

MODEL 6130

PAR36 LED HIGH-BEAM & LOW-BEAM HEADLAMPS

Model Number	Description
6130-12/24V – DOT/ECE LB	12-24V PAR36 LED Low Beam Headlamp – Dual Compliant
6130-12/24V – ECE LHT LB	12-24V PAR36 LED Low Beam Headlamp – ECE LH Traffic
6130-12/24V – DOT/ECE HB	12-24V PAR36 LED High Beam Headlamp – Dual Compliant

Applications

- Agriculture
- Construction
- Specialty Trucks
- Buses & Motor Coaches
- Military

Features & Benefits

- Multi-voltage (12-24V) means fewer SKUs
- ECE LHT & Dual Compliant configurations
- Rugged solid state LEDs can withstand shock & vibration
- Long-lasting LEDs mean never having to replace another bulb again!
- For use with Speaker driver assemblies 0842091 & 0842201
- 4-year limited warranty

Product Specifications

- Light Source: Light Emitting Diodes (LEDs)
- Output: Raw: 1200 Lumens; Effective: 525 Lumens (Low Beam)
Raw: 2400 Lumens; Effective: 1050 Lumens (High Beam)
- Input Voltage: 12-24V DC
- Current Draw: 2.25 Amps @ 12V; 1.3 Amps @ 24V (Low Beam)
5.5 Amps @ 12V; 2.6 Amps @ 24V (High Beam)
- Lens: Glass
- Housing: Die-Cast Aluminum
- Connector: Integrated 4-Pin Deutsch Weather-Proof Socket (DT04-4P)
- Mating Connector: 4-Pin Deutsch Weather-Proof Plug (DT06-4S)

Standards Compliance

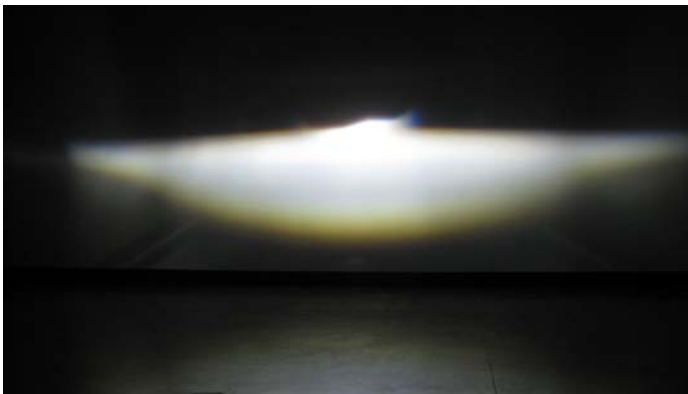
- ECE Reg. 112 (Low Beam Only)
- FMVSS 108 (On-Road Illumination, SAE Off-Road)
- Buy America Compliant
- Sealed to IP67



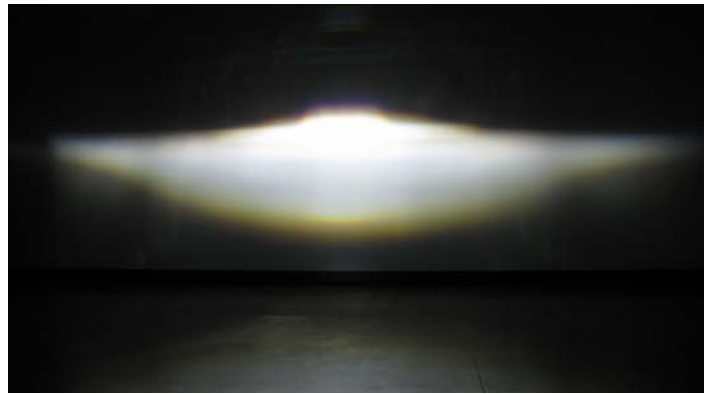
MODEL 6130

PAR36 LED HIGH-BEAM & LOW-BEAM HEADLAMPS

Beam Pattern Photographs



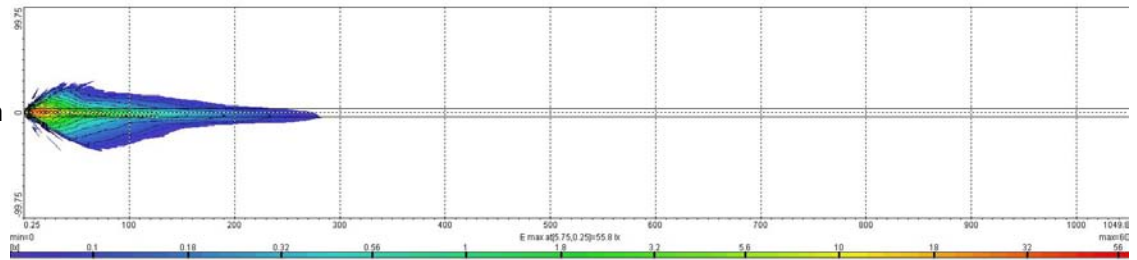
Model 6130 Low Beam



Model 6130 High Beam

Photometric Isoplots

Model 6130 Low Beam



Model 6130 High Beam

