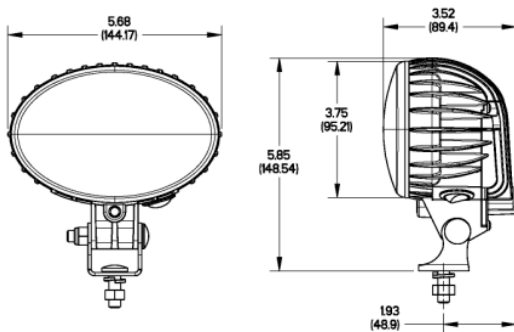


PRODUCT SPECIFICATION SHEET

February 2010



Dimensions in inches (mm in parentheses)
Dimensions are for reference only.

MODEL 700

12-48V LED WORK LAMPS

<i>Model Number</i>	<i>Description</i>
700F-12/48V	12-48V Flood LED Work Lamp
700F-1-12/48V	12-48V Flood LED Work Lamp with Switch
700F-2-12/48V	12-48V Flood LED Work Lamp with Switch & Photo Sensor
700S-12/48V	12-48V Spot LED Work Lamp
700S-1-12/48V	12-48V Spot LED Work Lamp with Switch
700S-2-12/48V	12-48V Spot LED Work Lamp with Switch & Photo Sensor
700VF-12/48V	12-48V Vertical Flood LED Work Lamp
700T-12/48V	12-48V Trap LED Work Lamp

Applications

- Agriculture
- Construction
- Material Handling
- Specialty Trucks
- Utility

Features & Benefits

- Multi-voltage (12-48 volts DC) adds versatility & reduces SKUs
- Optional photo sensor dims lamp to 25% of full power in bright conditions
- Flood, Spot and Trap configurations
- Rugged solid state LEDs can withstand shock & vibration
- Long-lasting LEDs mean never having to replace another bulb again!
- 4-year limited warranty

Product Specifications

- Light Source: Light Emitting Diodes (LEDs)
- Output: Raw: 780 Lumens; Effective: 400 Lumens
- Input Voltage: 12-48V DC
- Current Draw: 2.00 Amps @ 12V; 0.79 Amps @ 24V
0.55 Amps @ 36V; 0.50 Amps @ 48V
- Lens: Polycarbonate
- Housing: Die-Cast Aluminum
- Connector: Integrated 2-Pin Deutsch Weather-Proof Socket (DT04-2P)
- Mounting: Universal Mount; Includes 5/16-18 x 1" Mounting Bolt
- Mating Connector: 2-Pin Deutsch Weather-Proof Plug (DT06-2S)

Standards Compliance

- CE Approved
- UL Recognized
- Sealed to IP67

