

## PRODUCT SPECIFICATION SHEET

May 2010



# MODEL 7150

## LED OVAL WORK LAMP

### Model Number

7150F-12V  
7150S-12V  
7150T-12V

### Description

12V LED Oval Work Lamp – Flood  
12V LED Oval Work Lamp – Spot  
12V LED Oval Work Lamp – Trap

7150F-24V  
7150S-24V  
7150T-24V

24V LED Oval Work Lamp – Flood  
24V LED Oval Work Lamp – Spot  
24V LED Oval Work Lamp – Trap

### Applications

- Agriculture
- Mining
- Utility
- Construction
- Recreational
- Forestry
- Specialty Trucks

### Features & Benefits

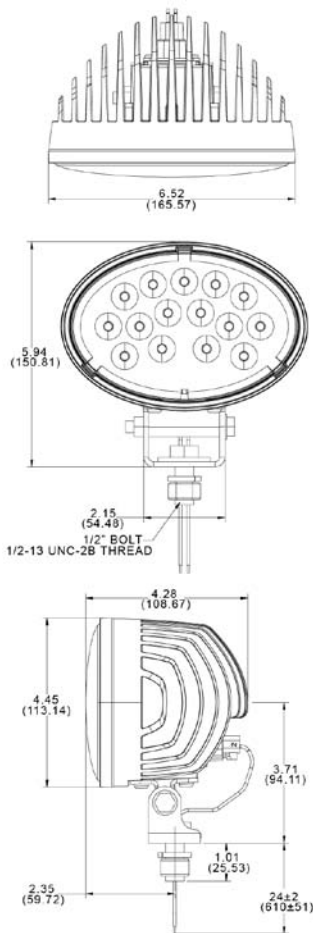
- High output out-performs HID!
- Available in 12V or 24V
- Flood, Spot and Trap configurations
- Rugged solid state LEDs can withstand shock & vibration
- Long-lasting LEDs mean never having to replace another bulb again!
- 4-year limited warranty

### Product Specifications

- Light Source: Light Emitting Diodes (LEDs)
- Output: Raw: 4,500 Lumens; Effective: 3,000 Lumens
- Input Voltage: 12V DC or 24V DC
- Current Draw: 6 Amps @ 12V; 3 Amps @ 24V
- Lens: Glass
- Housing: Die-Cast Magnesium
- Connector: Integrated 2-Pin Deutsch Weather-Proof Socket (DT04-2P)
- Mounting: Universal Mount; 1/2" Mounting Bolt
- Mating Connector: 2-Pin Deutsch Weather-Proof Plug (DT06-2S)

### Standards Compliance

- SAE J575 (Environmental)
- SAE J1113 (Electromagnetic Interference)
- SAE J1455 (Steady State Jumper Starts)
- Sealed to IP67

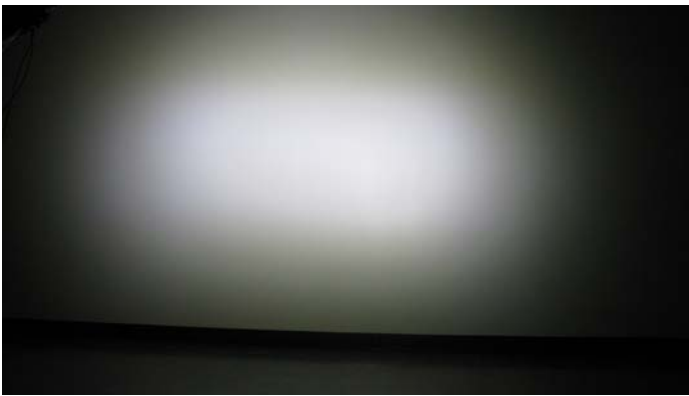


Dimensions in inches (mm in parentheses)  
Dimensions are for reference only.



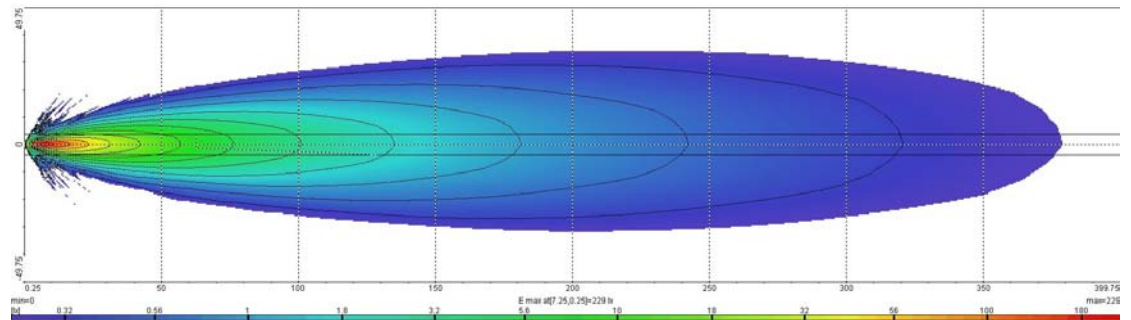
# MODEL 7150

## LED OVAL WORK LAMP



Model 7150 - Trap Pattern

Model 7150 – Spot Pattern



Model 7150 – Flood Pattern

