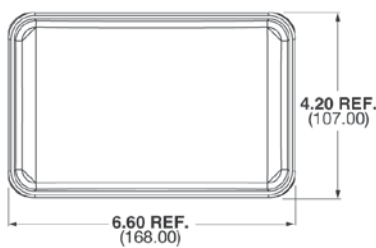
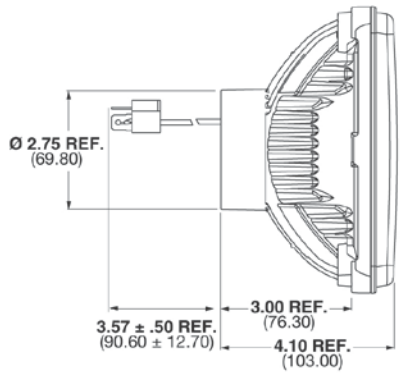


PRODUCT SPECIFICATION SHEET

March 2010



Dimensions in inches (mm in parentheses)
Dimensions are for reference only.

MODEL 8800

4" x 6" LED HIGH-BEAM & LOW-BEAM HEADLAMPS

Model Number	Description
8800-12/24V – DOT/ECE LB	12-24V 4" x 6" LED Low-Beam Headlamp – Dual Compliant
8800-12/24V – DOT/ECE HB	12-24V 4" x 6" LED High-Beam Headlamp – Dual Compliant
8800-12/24V – ECE LHT LB	12-24V 4" x 6" LED Low-Beam Headlamp – ECE LH Traffic

Applications

- Automobiles
- Motor Coaches
- Buses
- Trucks

Features & Benefits

- Durable tempered glass lens provides superior protection
- Multi-voltage (12-24V) adds versatility & reduces SKUs
- Rugged solid state LEDs can withstand shock & vibration
- Long-lasting LEDs mean never having to replace another bulb again!
- Plug & play replacements for 1A1 and 2A1 sealed beams in most applications
- Optional mounting assembly available
- 4-year limited warranty

Product Specifications

- Light Source: Light Emitting Diodes (LEDs)
- Output: Raw: 1,300 Lumens; Effective: 750 Lumens (Low-Beam)
Raw: 1,300 Lumens; Effective: 850 Lumens (High-Beam)
- Input Voltage: 12-24V DC
- Current Draw: 3.6 Amps @ 12V; 1.5 Amps @ 24V (High- and Low-Beams)
- Lens: Tempered Glass
- Housing: Die-Cast Aluminum
- Connector: AMP 172615-2
- Mating Connector: LH Terminal – AMP 172795-1; RH Terminal – AMP 172796-1

Standards Compliance

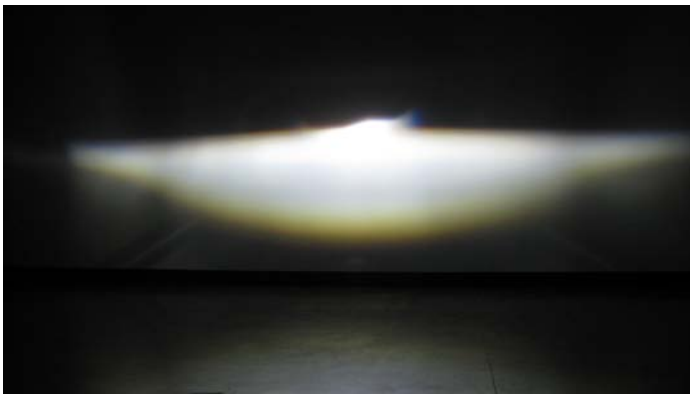
- FMVSS 108 / CMVSS 108 (On-Road Applications)
- ECE Reg. 112 (Headlamps)
- Buy America Compliant
- Sealed to IP67



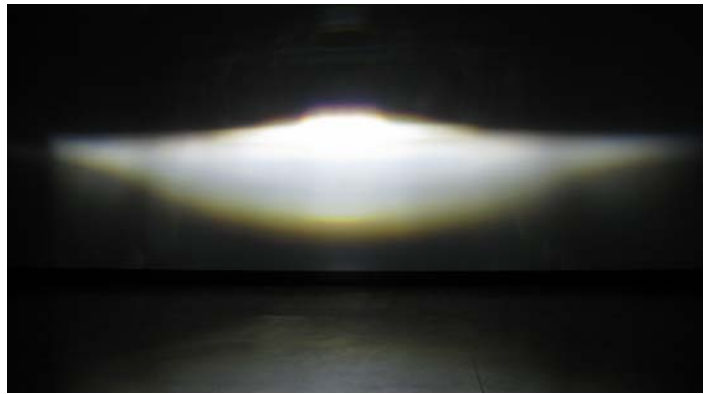
MODEL 8800

4" x 6" LED HIGH-BEAM & LOW-BEAM HEADLAMPS

Beam Pattern Photographs



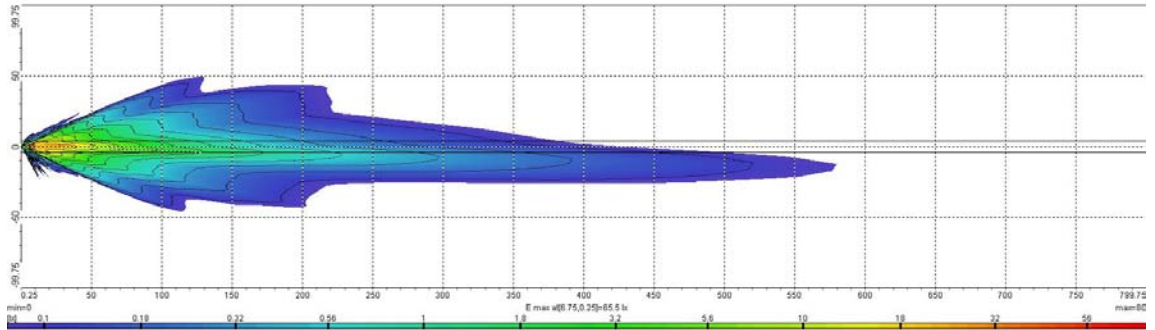
Model 8800 Low Beam



Model 8800 High Beam

Photometric Isoplots

Model 8800 Low Beam



Model 8800 High Beam

